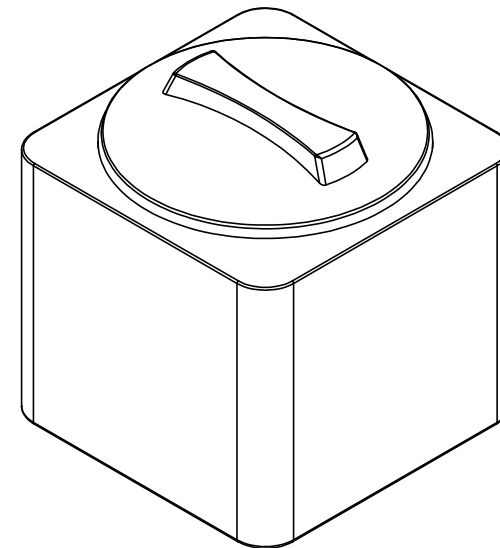
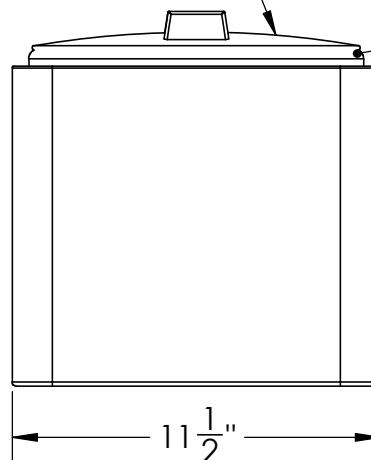
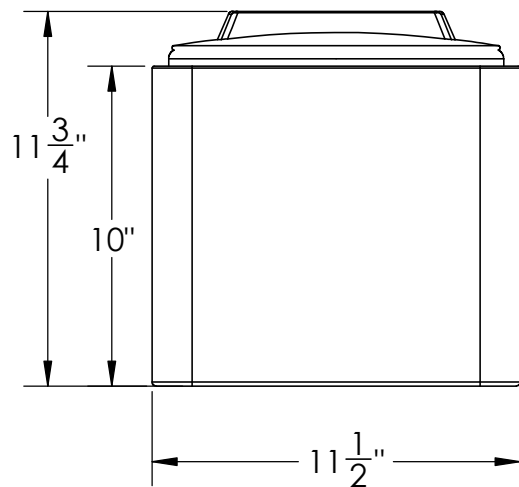


R1 $\frac{1}{4}$ "



8" Closed
Non-Vented Lid
970325

8" Lid Ring with
Gasket # 970326



4 Gallon Natural Square Utility
Tank with
8" Gasketed Lid & Ring



1390 Neubrecht Road
Lima, Ohio 45801

STOCK NO.
23742, 23743

REV
A

DO NOT SCALE DRAWING

WEIGHT: 6 lbs.

DIMENSIONS ARE IN INCHES TOLERANCE: $\pm 1/4$ "		NAME	DATE
MATERIAL LLDPE - FDA resin		DRAWN	NJV 4/17/24
CAPACITY 9.5 US gal.		APPROVED	
GRADUATIONS NO		COMMENTS: Natural, Black UV Stabilized	
NOMINAL WALL THICKNESS 1/4"			

PROPRIETARY AND CONFIDENTIAL
THE INFORMATION CONTAINED IN THIS
DRAWING IS THE SOLE PROPERTY OF
TAMCO. ANY REPRODUCTION IN PART
OR AS A WHOLE WITHOUT THE WRITTEN
PERMISSION OF TAMCO IS PROHIBITED.

MAX. OPERATING TEMP. 140°F
INTERMITTENT SERVICE TO 160°F
SEE CHEMICAL RESISTANCE
CHART FOR COMPATIBILITY